

DIMENSIONS ---

These are the dimensions for the most common standardized models used for industrial and military applications. These models can be used in most normal environments but should not be immersed into water or other liquids. They operate in environments that are friendly to humans but should not be used in extremely dirty or wet places.

Other models are designed to operate in extremely hostile environments and are described in additional pages --- [Severe Environment Models](#) . Such models can be directly immersed and operated in boiling water, hot crude oil, extremely dirty places and be pressurized up to 1,200 psi during operation.

	75TJ-V-[]	75SB-V-[]	75FB-V-[]	100TJ-V-[]	100SB-V-[]
Db Body	0.750/ 0.745	0.750/ 0.745	0.750/ 0.745	1.000/ 0.995	1.000/ 0.995
Lb Length	0.525/ 0.510	0.940/ 0.920	0.980/ 0.960	0.680/ 0.660	1.100/ 1.080
Ds Shaft	0.250/ 0.248	0.250/ 0.248	0.250/ 0.248	0.250/ 0.248	0.250/ 0.248
Ls Shaft	0.525/ 0.480	0.525/ 0.480	0.525/ 0.480	0.525/ 0.480	0.525/ 0.480
Dj Journal	0.375/ 0.373	N/A	N/A	0.375/ 0.373	N/A
Lj	0.380/ 0.370	N/A	N/A	0.380/ 0.370	N/A
DI Flange	N/A	0.500/ 0.498	1.000/ 0.995	N/A	0.750 x 0.062
Li	N/A	0.062	N/A	N/A	0.062
Lc or Lfl	N/A	0.062	0.062	N/A	0.062
Dg,Lg	N/A	0.062	N/A	N/A	0.87 x 0.062

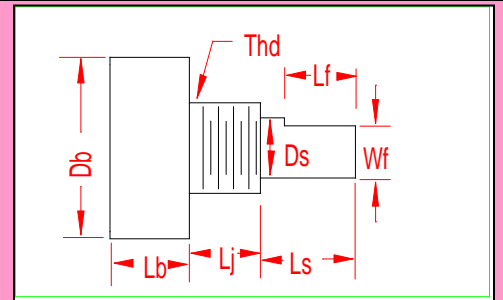
Elweco, Inc ---- www.elweco.com , www.hallpot.com ,
Ph/Fx 440-254-1716, sales@hallpot.com

PO Box 909, Painesville, OH 44077 USA

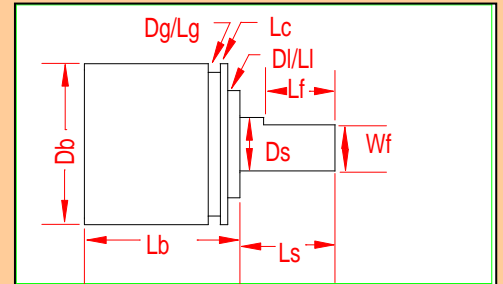
[Return to Home Page](#)

Hallpot® is the registered trademark of Elweco, Inc.

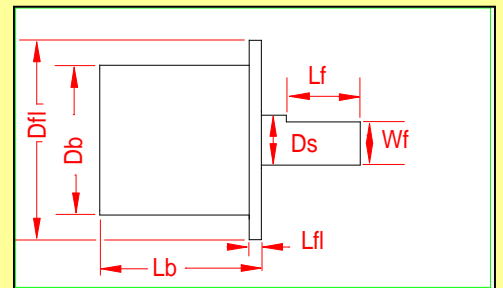
75TJ-V-[]



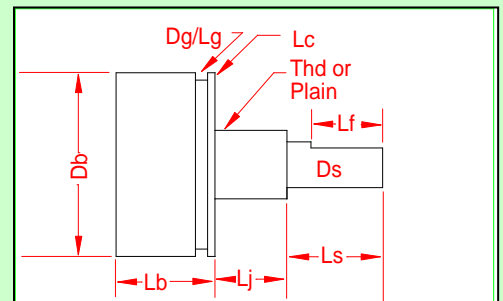
75SB-V-[]



75FB-V-[]



100TJ-V-[]



100SB-V-[]

